

**Beyond Limits.**



**Meets Your Imaginations and more**

## FEATURES INCLUDE:

- Pressure Vessel Modeling & Configuration
- 3D Production Detailed Models
- Layout and Fabrication Drawings
- Production List and Bill of Material
- Links to Intergraph PV Elite Access file.
- Fast and Accurate Fabrication Drawings
- BOM Export

## Static Equipment Generator

SE CAD Solutions<sup>®</sup> SEG<sup>®</sup> offers advanced tool for the accurate and speedy production of 3D digital prototype and workshop drawings deliverables of pressure vessels and Slug catchers.

Linked to Intergraph PV Elite™ Access file, SEG delivers significant savings over existing 3D CAD modeling and drafting methods.

### Rapid Design and Detailing

Feature based environment enables the rapid configuration and detailing of pressure vessels automating the generation of:

- 3D detailed geometry models
- Nozzle, Coupling, Pipe, Flange and fitting list.
- Nozzle and coupling openings.
- Sheet Metal flat pattern for all plates.
- Wide range for supports (Saddle, Skirt, Leg, Lug, Cradle etc.)
- Elevation, fabrication, and assembly drawings
- Production component lists, and purchased bill of material
- End cuts for nozzles and legs.
- Cost Report.

Export of 3D model and drawings to AutoCAD<sup>®</sup> and other CAD systems, bill of material to business applications, and import of Mechanical design calculations

### Ease of Modeling

SEG<sup>®</sup> can be mastered in one day of training.

### Easy to Select Between Different Configurations.

SEG<sup>®</sup> supports a different configuration and layout of the shell, heads, support structure, nozzles, manways, and other internal as well as external features and appurtenances is facilitated through intuitive menus.

Fabrication details for shell courses, plate sizes, edge preparations, weld types, and other production details are quickly and easily specified.

A complete vessel design can be configured and detailed in less than two hours including the automatic generation of drawings, bill of material, Material Cost Report, and all other reports.

## Vessel Designs and Configurations

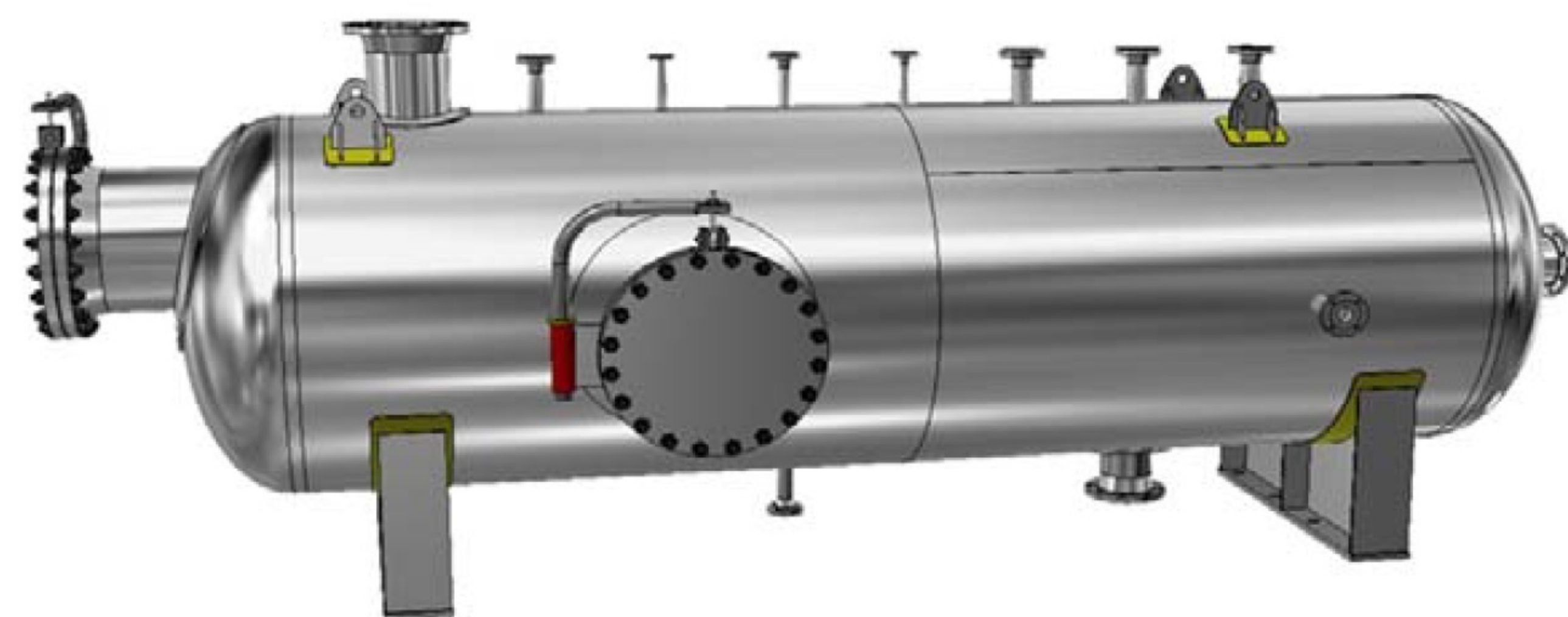
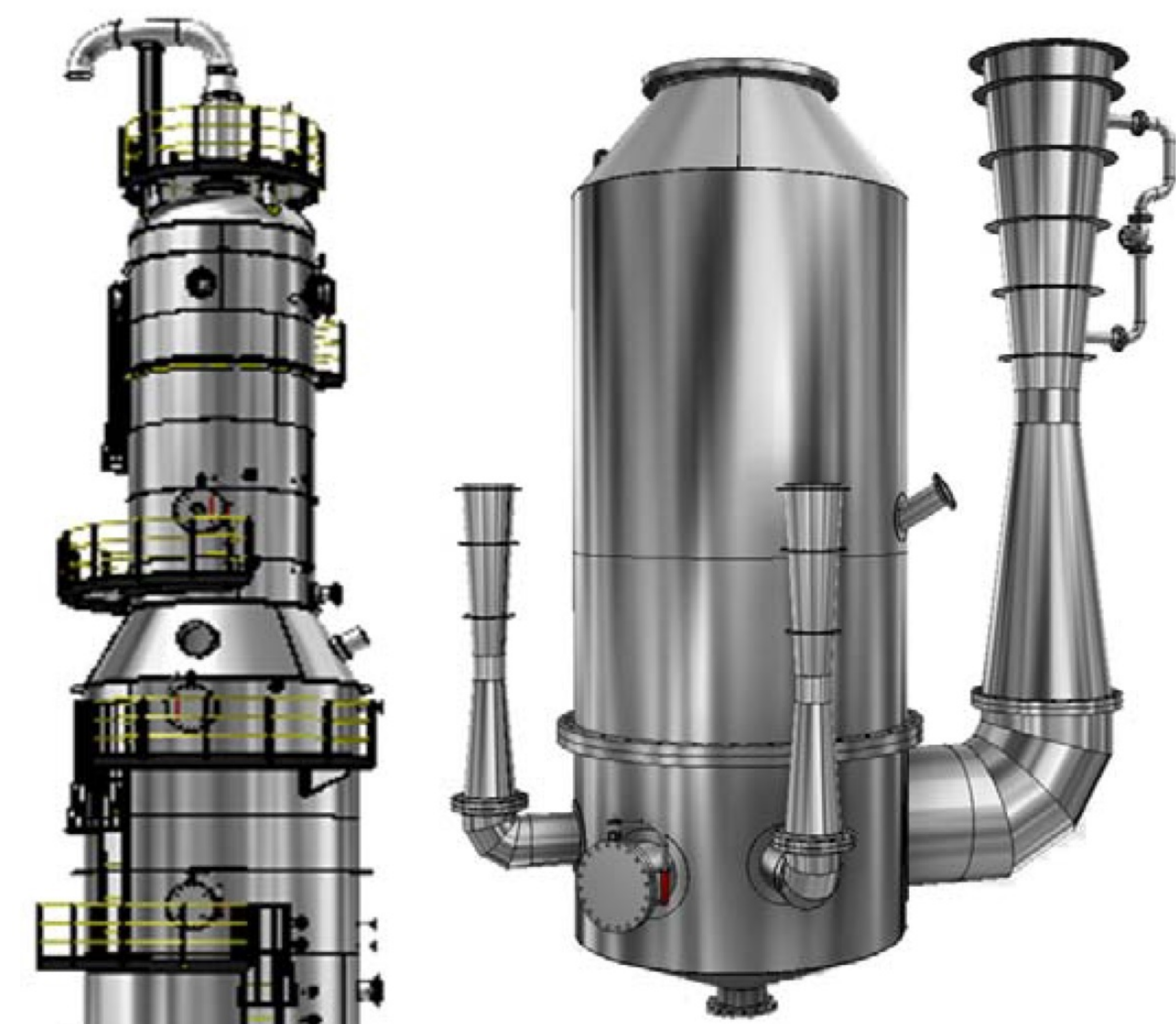
SEG<sup>®</sup> supports a wide range of vessel designs and configurations

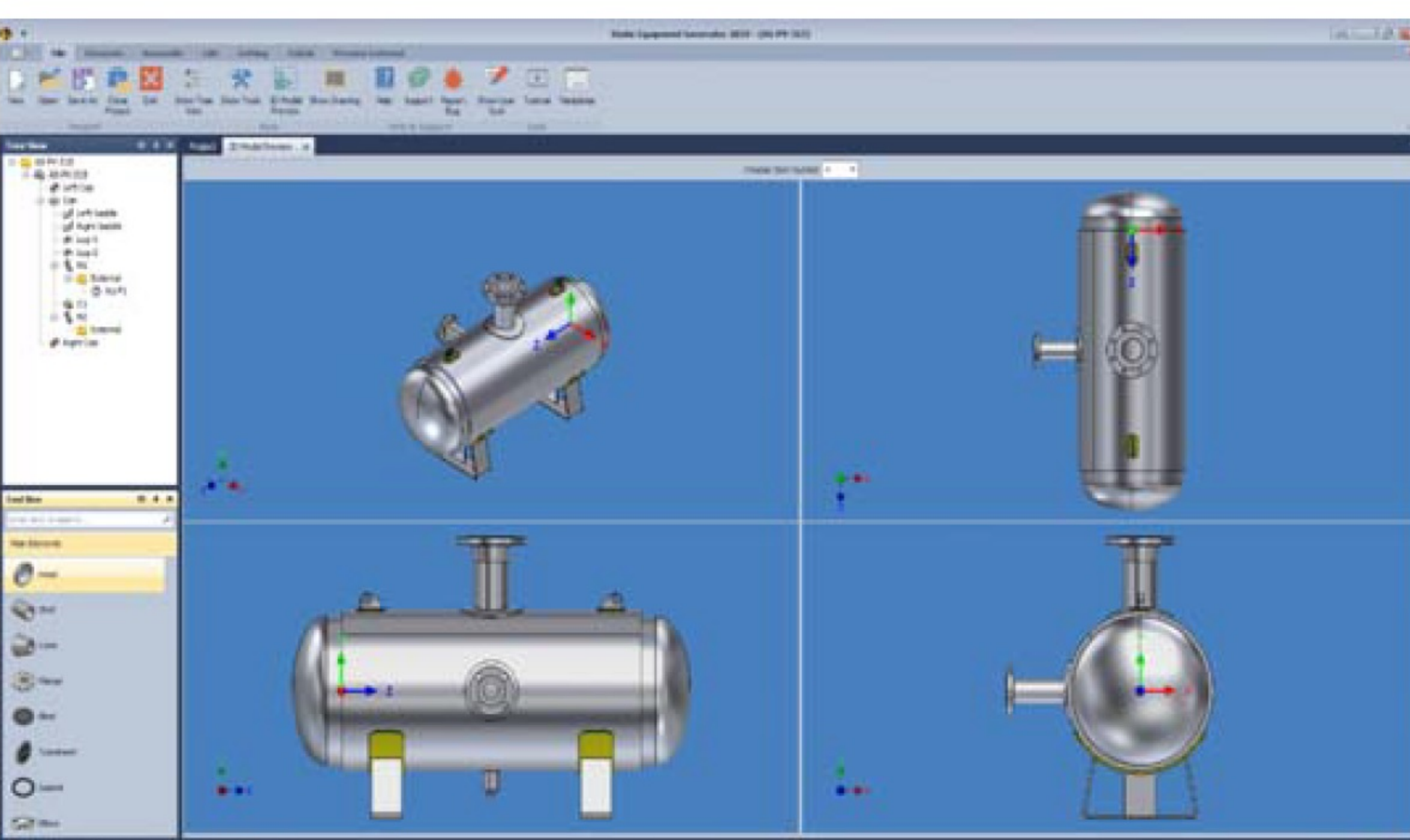
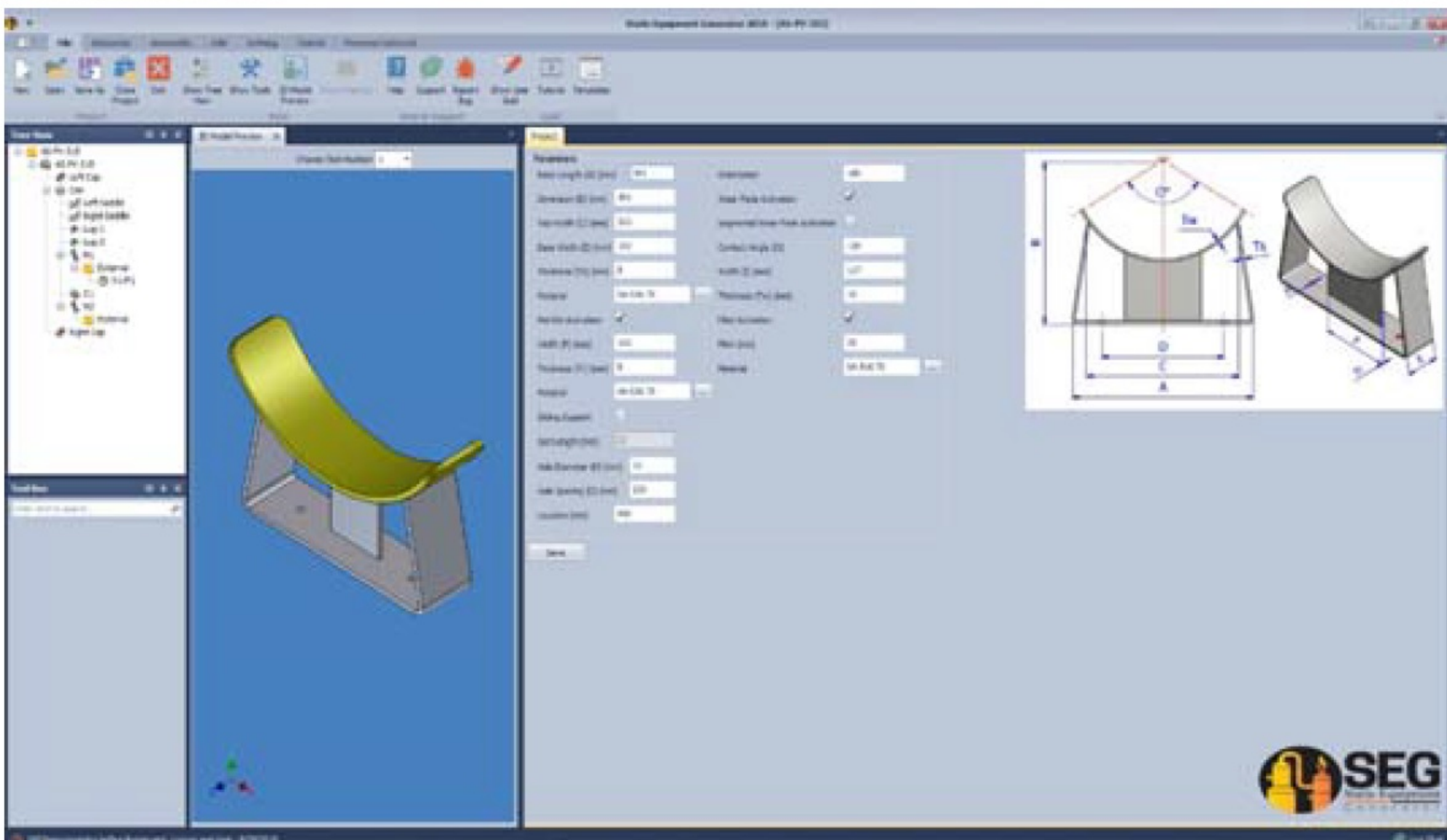
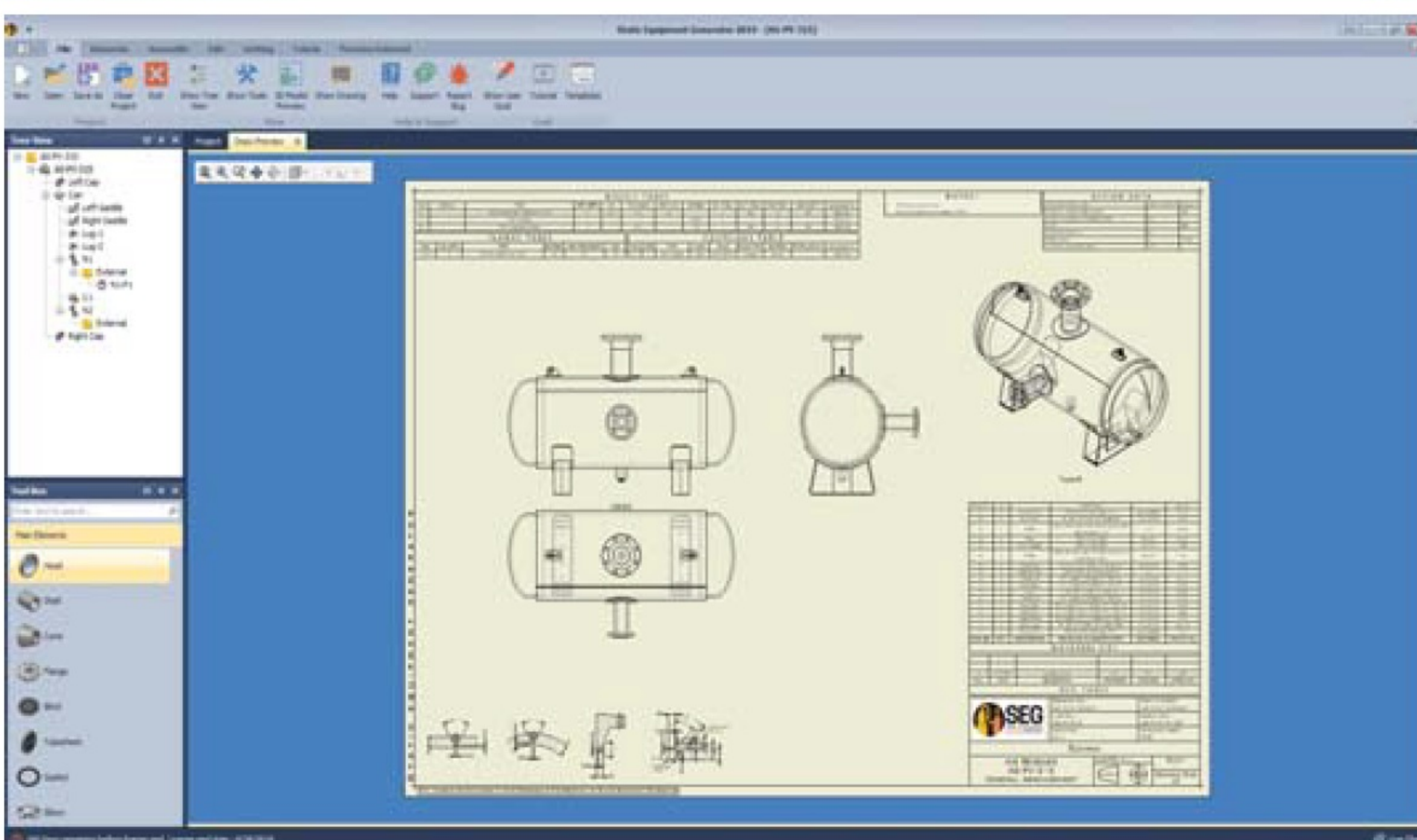
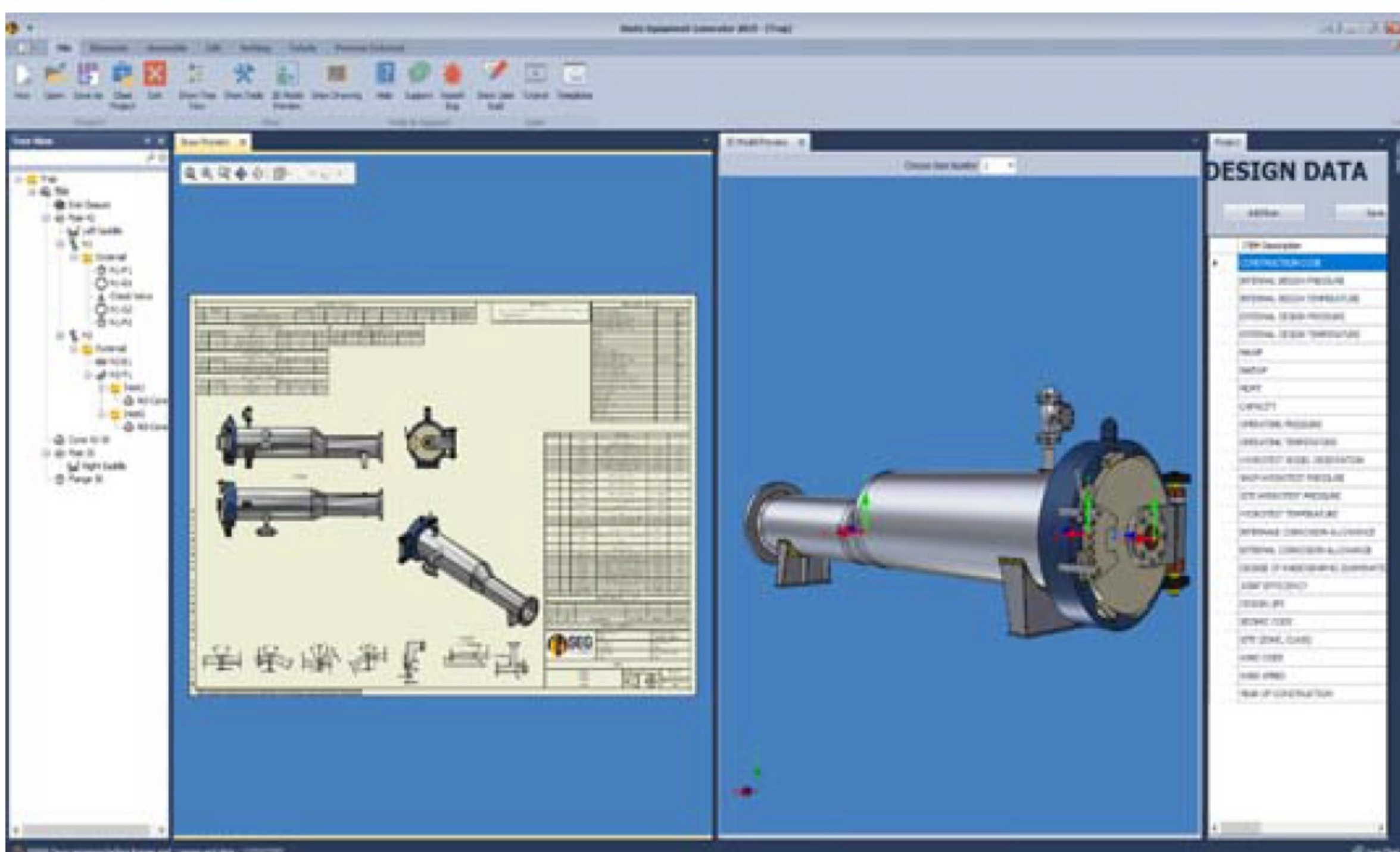
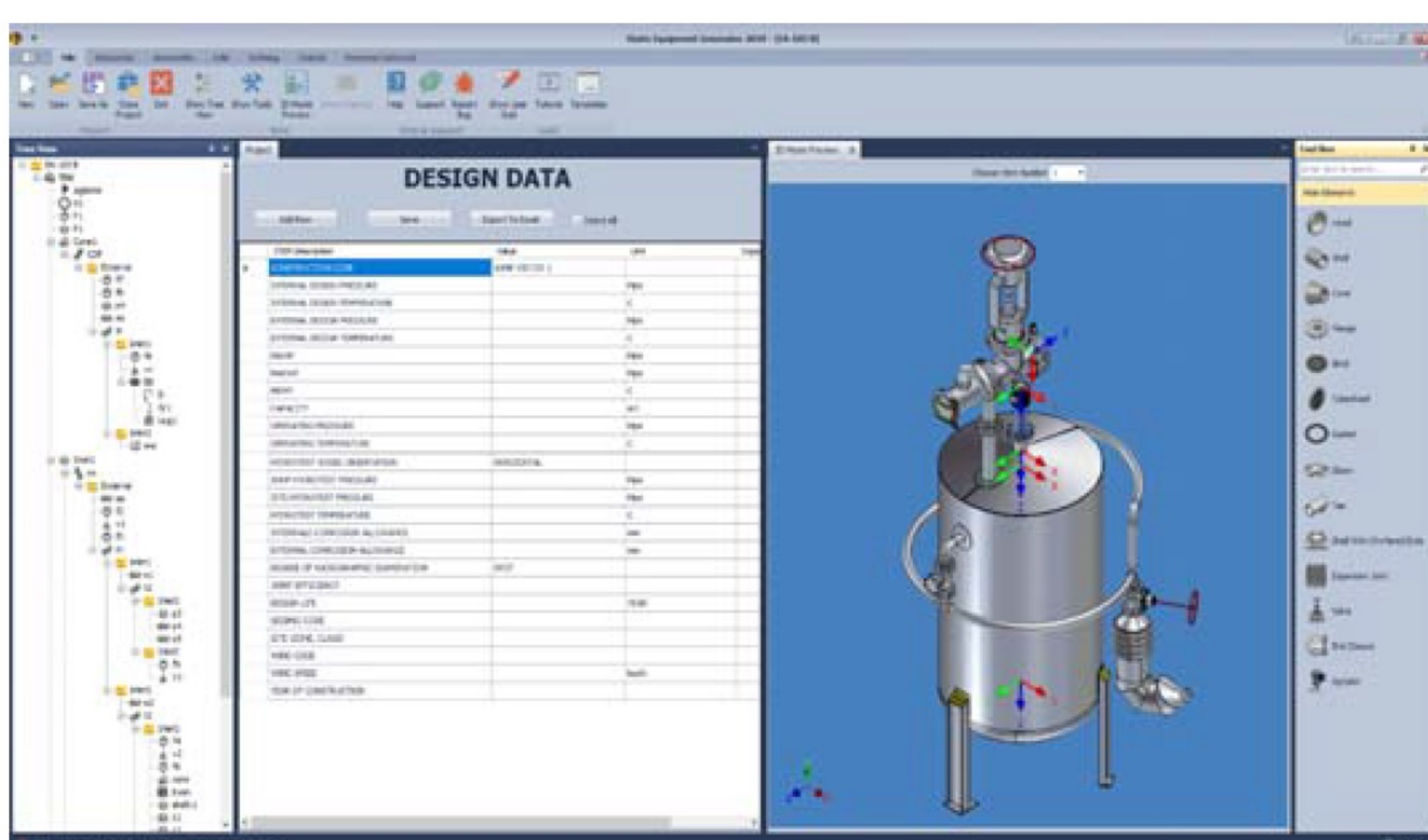
- Horizontal, Sloped and Vertical vessels with multi sectional shells with different diameters and concentric or eccentric transitional sections. Various supports including saddles Skirt, Lug and legs are provided.
- Columns with multi sectional shells with different diameters and transitional sections.
- Vessels with half pipe jackets and coil on shells.

## Internal and External Appurtenances

SEG<sup>®</sup> supports a wide range of appurtenance features and configurations

- Internal components including tray rings, baffles, Deflector, and other features.
- External components including lugs, clips, and vacuum rings.
- Opening closure, Manways, Agitator and Couplings attached to shells and heads.
- Nozzles with Tee, flanges, elbows, reinforcement pads, insert pads, and other attachments and configurations.





## Editing and Modification

Because model can be connected to Intergraph PV Elite™ Access file, modification or editing due to changes in the 3D model is instantly reflected in the fabrication drawing and the BOM.

## Project Data

- SEG® supports Creating more than one equipment inside current project with the ability to define project Job No., Location customer and more.
- Defined data reflected automatically to parts, assemblies and drawings.

## Design data

- User can define his design data for each equipment, user can add more lines to this table and define units if require.
- Ability to export table to drawing and separet Excel sheet.

## Tree Construction

Easy steps to create the equipment items tree, which includes main equipment items and attachements, you can add supports, nozzles, lugs to each main item in current model.

## Special interface for each item

Variety of static equipment items gives you flexibility in modeling and makes you able to create wide range of equipments.

- Pressure Vessels.
  - Towers, Large columns.
  - Slug Catcher Finger Type and vessel type.
- and more

## Technical Specifications

- Autodesk Inventor® 2016 (minimum).
- Microsoft® Windows® 7 or higher® (minimum).
- Microsoft® Office® 2013 (minimum).
- AccessDatabaseEngine\_X64.

# SECAD<sup>®</sup>

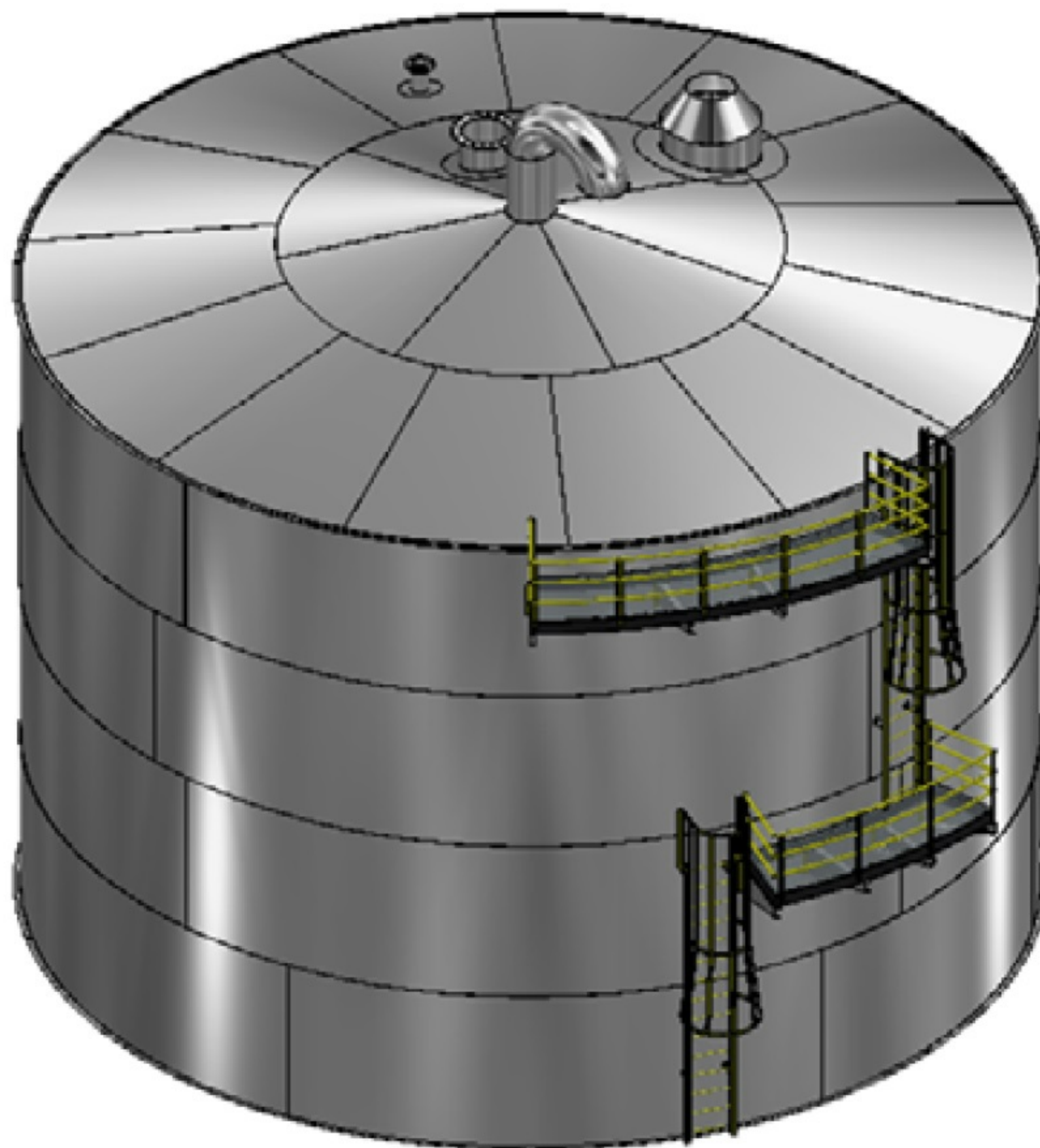
## SOLUTIONS

Beyond Limits

### Standards:

SEG<sup>®</sup> supports different standards

- Flanges according to ASME B16.5
- Flanges according to ASME B16.47 A/B
- Flanges according to BSEN1092-1 2007.
- Gaskets.
- Valves.
- Couplings according to ANSI B16.11 AND BS3799.
- Fittings.
- Pipes.



### Application Areas

- Process and Plant Design
- Equipment
- Pressure Vessels
- Slug Catcher
- Petrochemical
- Chemical
- Power
- Offshore
- Food
- Beverage
- Brewing
- Pharmaceutical
- Water Treatment
- Building Services
- Shipbuilding

### ABOUT SE CAD Solutions

SE CAD Solutions Deals With Design And Engineering Solutions In Various Sectors. The Company Was Initially Started In 2018 By Eng. Ahmed Hegazy and his An Eminent Team Of Engineers Having Specialized Knowledge Of Engineering Solutions.

### Contact Information

For more information about SEG<sup>®</sup> contact:  
SE CAD Solutions

Address: Apartment 105, Building 31, Darna Project, El-Maady, Cairo, Egypt.

Phone: +201007368077  
Phone: +2026985493

contact@secadsolutions.com  
sales@secadsolutions.com  
secadsolutions@gmail.com  
www.secadsolutions.com